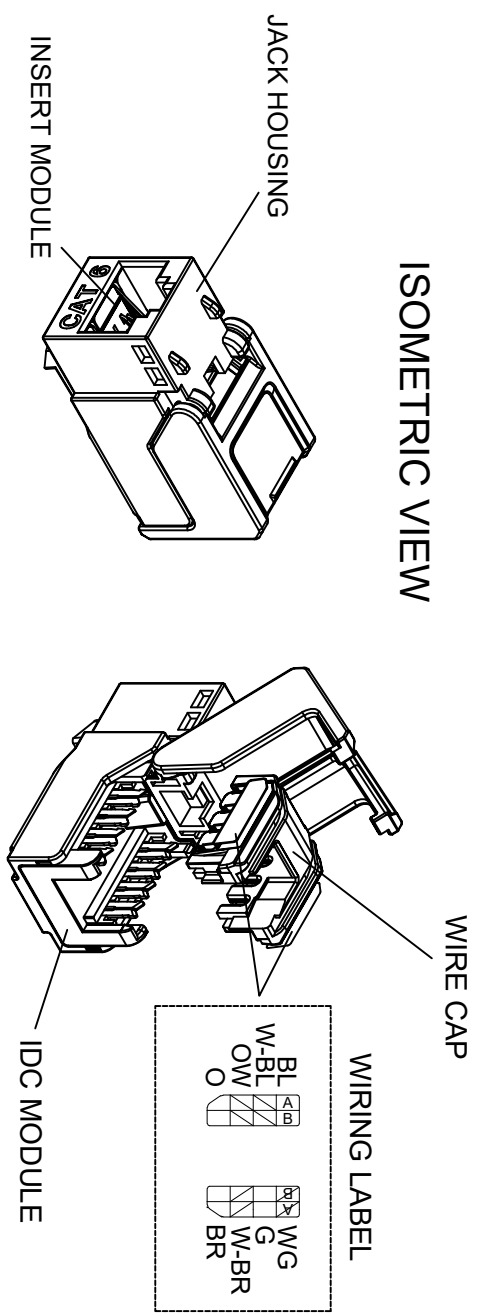
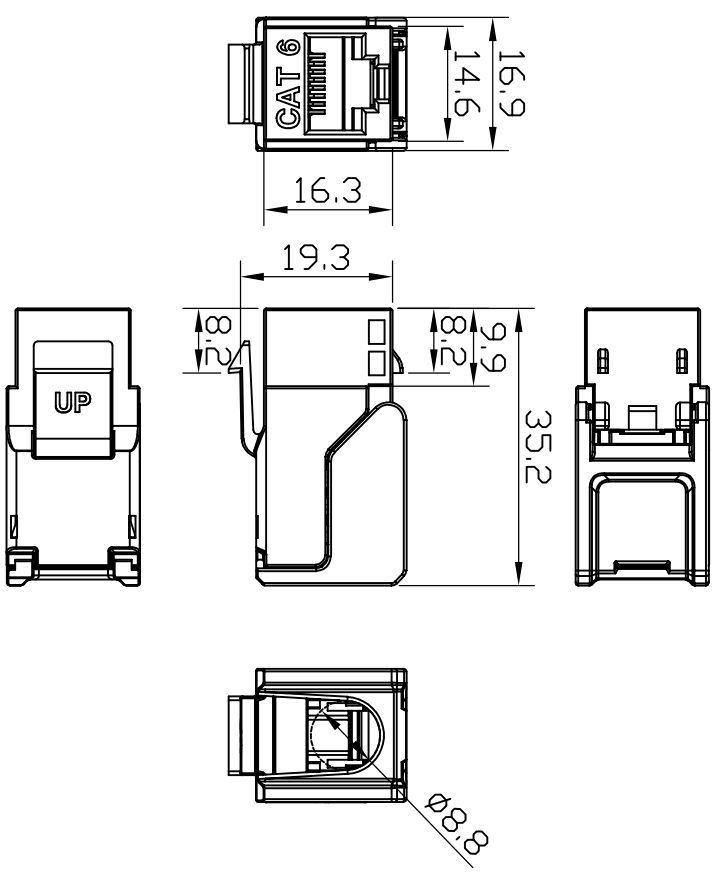


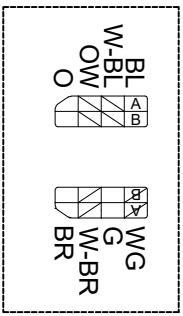
ISOMETRIC VIEW



ASSEMBLY DIMENSION



COMPONENTS		
5	WIRING LABEL	2
4	IDC MODULE	1
3	WIRE CAP	1
2	INSERT MODULE	1
1	JACK HOUSING	1
ITEM	DISCRPTION	QTY



TRANSMISSION PERFORMANCE
 Meet all requirements specified in connecting hardware requirement of ANSI/TIA-568-C.2 CAT6

ELECTRICAL
 Electrical Insulation Resistance \geq 500 M
 min @ 100V DC
 Dielectric Withstanding Voltage: 1000V DC or AC
 Peak Contact to Contact @ 60Hz for 1 minute.

MECHANICAL
 Insertion/Extraction Life: 750 Cycles minimum
 IDC Wire Gauge: 22-24 AWG

PHYSICAL
 Housing: High-impact, Flame-Retardant Plastic, UL94V-0, Black
 Spring Wire: Phosphor Bronze Alloy Plated with 50 micro-inch of Gold
 IDC: Phosphor Bronze Alloy with 100 micro-inch 100% Sn Alloy

SS-82010-003
PART NUMBER

206 Van Vorst Street
 Jersey City, NJ 07302
 +1 201 432 0463
<http://www.belfuse.com>

CAT 6 UNSHIELDED TOOL-LESS KEYSTONE JACK, BLACK

THIRD ANGLE PROJECTION
 DO NOT SCALE DRAWING
 DRAWING IS SUBJECT TO CHANGE WITHOUT NOTICE
 DIMENSIONS: METRIC
 UNLESS OTHERWISE SPECIFIED TOLERANCES ARE ±0.2 ANGLES ARE ± 1°
 SHEET NO. 1 OF 1

DATE	REV	ECN	APP'D. BY
03/26/19	A0	Released	GML

DRN BY:	BTS	DATE:	03/26/19
APP'D BY:	GML	DATE:	03/26/19
DWG NO.:	CT820034	REV:	A0

