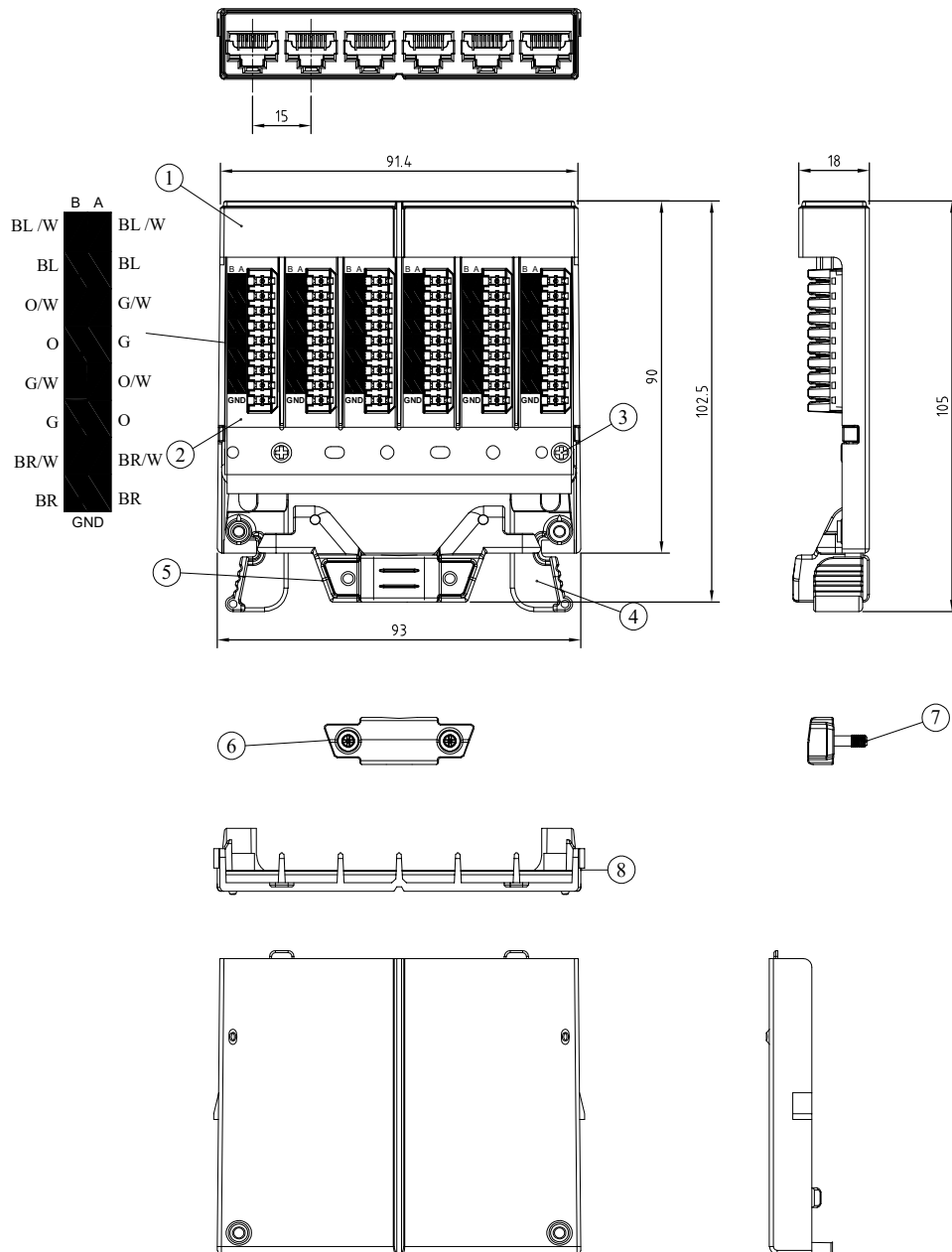


DATE	REV	ECN	APP'D. BY
03/15/19	A0	Released	GWL



COMPONENTS

ITEM	PART NAME	Q'TY
1	6 BASE	1
2	PCB	1
3	SCREW	2
4	BRACKET-R/L	1
5	CABLE CLIPS	1
6	CABLE CLIPS-UP	1
7	Screws - M3x12	2
8	COVER	1

TRANSMISSION PERFORMANCE

Meet all requirements specified in connecting hardware requirement of ISO/IEC 11801, Category 6 IEC 60603-7-51 ANSI/TIA-568-C.2, Category 6A

ELECTRICAL

Electrical Insulation Resistance : 500 M min. @ 100V d.c
Dielectric Withstanding Voltage : 1000V d.c. or a.c. Peak Contact to Contact @ 60Hz for 1 minute.

MECHANICAL

Insertion / Extraction Life : 750 Cycles Minimum
IDC Wire Gauge : 22 ~ 24 AWG

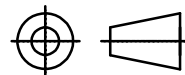
PHYSICAL

Housing : Zinc-alloy fully shielded
Spring Wire : Phosphor Bronze Alloy Plated With 50 micro-inch of Gold
IDC : Phosphor Bronze Alloy With 100 micro-inch 100% Sn Alloy

ASY82120-003

PART NUMBER

THIRD ANGLE PROJECTION

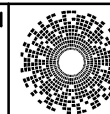


DO NOT SCALE DRAWING
DRAWING IS SUBJECT TO
CHANGE WITHOUT NOTICE

DIMENSIONS: METRIC

UNLESS OTHERWISE SPECIFIED
TOLERANCES ARE ±0.2
ANGLES ARE ± 1°

SHEET NO. 1 OF 1



bel

206 Van Vorst Street
Jersey City, NJ 07302
+1 201 432 0463
<http://www.belfuse.com>

TITLE: MULTIJACK CAT6A MODULE SNAP IN FTP, 1/2 U 6 PORTS
FOR 24 PAIRS CABLE, SILVER (CASSETTE)(1 CABLE)

THIS DRAWING AND THE SUBJECT MATTER SHOWN THEREON
ARE CONFIDENTIAL AND THE PROPRIETARY PROPERTY OF
BEL FUSE, INC. AND SHALL NOT BE REPRODUCED,
COPIED, OR USED IN ANY MANNER WITHOUT PRIOR WRITTEN
CONSENT OF BEL FUSE, INC.

DRN BY: BTS DATE 03/15/19

APPD BY: GWL DATE 03/15/19

DWG NO. CT820028 REV. A0

RoHS

2002/95/EC

