

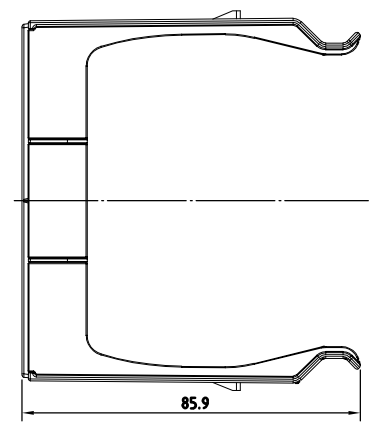
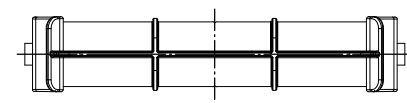
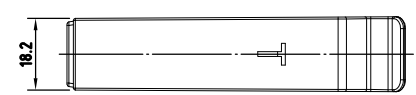
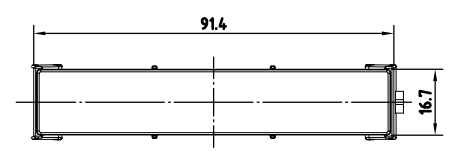
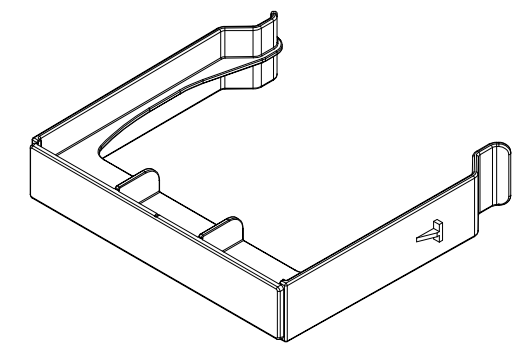
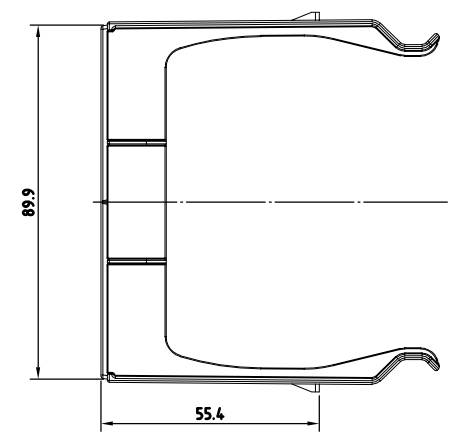
4

3

2

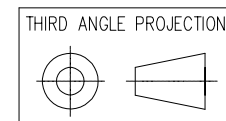
1

DATE	REV	ECN	APP'D. BY
03/15/19	A0	Released	GWL



82100-803

PART NUMBER



206 Van Vorst Street
 Jersey City, NJ 07302
 +1 201 432 0463
<http://www.belfuse.com>



DO NOT SCALE DRAWING
 DRAWING IS SUBJECT TO CHANGE WITHOUT NOTICE

DIMENSIONS: METRIC

UNLESS OTHERWISE SPECIFIED
 TOLERANCES ARE ±0.2
 ANGLES ARE ± 1°

SHEET NO. 1 OF 1

TITLE:
1/2 U BLIND PLATE FOR HIGH DENSITY PANEL

THIS DRAWING AND THE SUBJECT MATTER SHOWN THEREON ARE CONFIDENTIAL AND THE PROPRIETARY PROPERTY OF BEL FUSE, INC. AND SHALL NOT BE REPRODUCED, COPIED, OR USED IN ANY MANNER WITHOUT PRIOR WRITTEN CONSENT OF BEL FUSE, INC.

DRN BY:	BTS	DATE	03/15/19
APPD BY:	GWL	DATE	03/15/19
DWG NO.	CT820029	REV.	A0